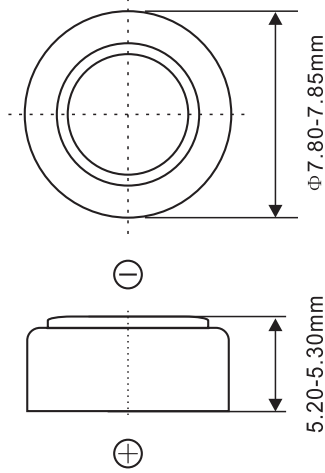


1.5V Alkaline Button Cell Data Sheet

Dimensions(mm)
 Diameter: 7.80- 7.85mm
 Height: 5.20 5.30mm



Nominal Voltage		1.5V		
Nominal Capacity		50mAh		
Average Weight		0.9g		
Electrochemical system		Zinc/ Manganese Dioxide		
IEC	Varta	Eveready	Ray-O-Vac	Maxcell
LR48	-	193	RW48	LR754



Standard Discharge Curve

