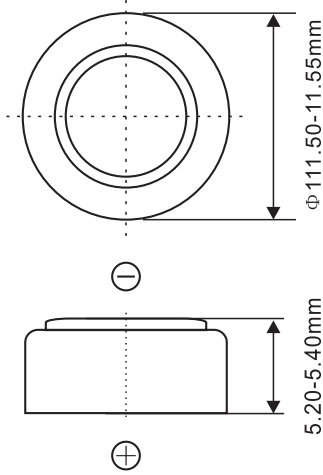


### 1.5V Alkaline Button Cell Data Sheet

Dimensions(mm)  
 Diameter: 11.50-11.55mm  
 Height: 5.20-5.40mm



<b>Nominal Voltage</b>		1.5V		
<b>Nominal Capacity</b>		128mAh		
<b>Average Weight</b>		1.9g		
<b>Electrochemical system</b>		Zinc/ Manganese Dioxide		
<b>Cross Reference</b>				
IEC	<b>Varta</b>	<b>Eveready</b>	<b>Ray-O-Vac</b>	<b>Maxcell</b>
LR44	V13GA	A76	RW82	LR44



### Standard Discharge Curve

